

# MUNDIAL

## INDUSTRIAL PLUGS AND SOCKETS

Description: IP66-IP68 SCHUKO-TYPE WANDER SOCKET 2P+E 220/230V 16A

Reference:

**00114**

### Characteristics:

Product type:	Wander Schuko-Type plug
Current:	16A
Poles:	2P+E
Voltage:	250 V
Frecuency(Hz):	-
Time code:	-
Colour:	Blue
Weight (kg):	1,18
Dimensions:	
Materials:	Halogen-free plastic materials. Plastic parts: polyamide 6. Contacts: copper-zinc alloy
Packaging units:	10

### Technical data:

Degree of protection:	IP66-IP68
Degree of protection remarks:	Up to 2 bar / 2h
Resistance to impact:	IK08
Glow wire resistance:	850 °C
Ball pressure test:	125 °C
Ambient temperature range:	-25 °C / +40 °C

### Certifications and norms:

Directive:	2014/35/EU
Standards:	IEC 60884-1
Certificates:	



### Codes:

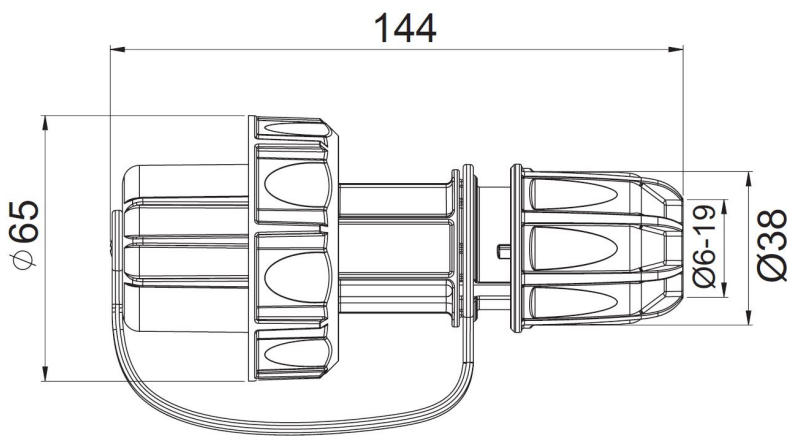
EAN:	8431044001142
Customs tariff number:	85.36.69.90
ETIM 8.0:	EC000242

# MUNDIAL

## INDUSTRIAL PLUGS AND SOCKETS

Description: IP66-IP68 SCHUKO-TYPE WANDER SOCKET 2P+E 220/230V 16A

Reference: 00114



### Dimensions:

### Sustainability:

RoHS - REACH

### Product end of life stage:

Product concerned in the WEEE regulations.

### Supply:

Supplied in a single box per packaging multiple